

# Totaline VLV Series



## *2-Way & 3-Way Motorized Valves*

Totaline VLV series motorized valves are used to control the supply of chilled or hot water in fan coil units to maintain room temperature. The valves are driven by a hysteresis synchronous motor with spring return. The valves are normally closed. They are reliable, with long life and capable of operating in high temperature environments.

### FEATURES

- Forged brass body
- Stainless steel base with aluminium case
- Normally closed 2-way valve and 3-way diverting valve
- Fully enclosed one-way hysteresis synchronous motor, with spring return and water proof functionality
- Fluid medium max temperature 94°C
- CE Standard



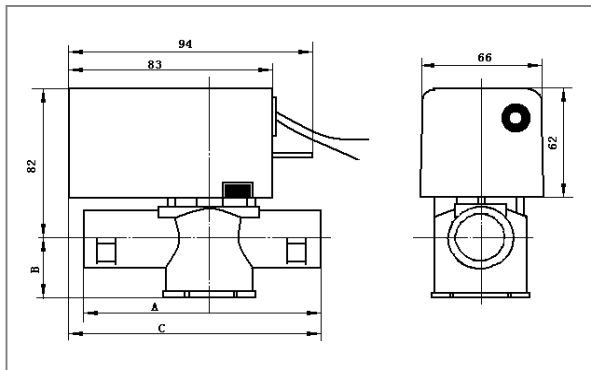
### TECHNICAL PARAMETERS

- Power supply : AC220V±10% 50/60Hz
- Power consumption : 6.5W
- Pressure : 1.6Mpa
- Valve reaction time:
  - separated valve : Open Time 14 ~ 18 s  
Close Time 5 ~ 7 s
- Operating conditions:
  - external temperature : 5 ~ 40 °C
  - pipeline water temperature : 5 ~ 90 °C

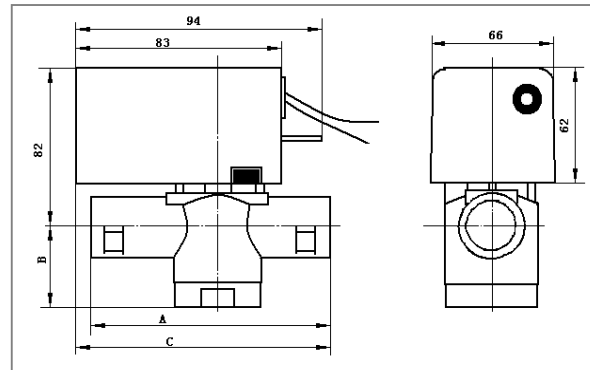
## MODELS

Model	Dimensions	2/3 Way	Kv (Cv) Rating	Close-off (psi)
VLV234	3/8 "	2	2.2 (2.5)	30
VLV244	1/2 "	2	2.2 (2.5)	30
VLV254	5/8 "	2	3.0 (3.5)	25
VLV264	3/4 "	2	3.0 (3.5)	25
VLV274	7/8 "	2	6.9 (8.0)	20
VLV284	1 "	2	6.9 (8.0)	20
VLV334	3/8 "	3	2.6 (3.0)	30
VLV344	1/2 "	3	2.6 (3.0)	30
VLV354	5/8 "	3	3.4 (4.0)	25
VLV364	3/4 "	3	3.4 (4.0)	25
VLV374	7/8 "	3	6.5 (7.5)	20
VLV384	1 "	3	6.5 (7.5)	20

## DIMENSIONAL DRAWING



2-way valve



3-way valve

## VALVE BODY SIZES (dimensions in mm)

Model	A	B	C
VLV234	70	23	86
VLV244	70	23	86
VLV254	87	23	93
VLV264	87	23	93
VLV274	94	25	95
VLV284	94	25	95
VLV334	70	33	86
VLV344	70	33	86
VLV354	87	37	93
VLV364	87	37	93
VLV374	94	43	95
VLV384	94	43	95