

Laterally stable steel springs housed in telescoping close-grain cast iron casing. Effective for isolation of high and low frequency vibrations produced by floor mounted mechanical equipment, industrial machinery, piping.

## Product Features

- Springs have a deflection of 25mm at rated load and are designed with 50% overload capacity, to compensate for unexpected load variations and to reduce operating stress.
- Springs are laterally stable, with diameter to operating height ratios ranging from 0.85 to 1.0
- WEICCO SMC mount design provides horizontal stability, high loading capacity and protective spring enclosure.
- All mounts have a built-in leveling arrangement, capable of compensating for full static deflection.
- Inner walls of lower casing have resilient rubber snubbers which :
  - a) Limit lateral movement, particularly due to start-up, shut-down and horizontal wind load.
  - b) Eliminate possibility of binding by providing a smooth guide path for the top casing.
  - c) Prevent isolator short-circuiting by avoiding metal to metal contact.
- Neoprene inserts below springs and 7 - 10mm thick ribbed base pad act as noise breaks for high frequencies in the audible range, which can otherwise get transmitted to building structure.
- Base pad eliminates need for bolting down in most applications.
- Color coded springs to facilitate identification.
- Corrosion resistant, epoxy powder coated springs and body.

**Compliance - Springs designed according to BS 1726 (Part 1) : 1987 and recommendations made by SAE (US)**

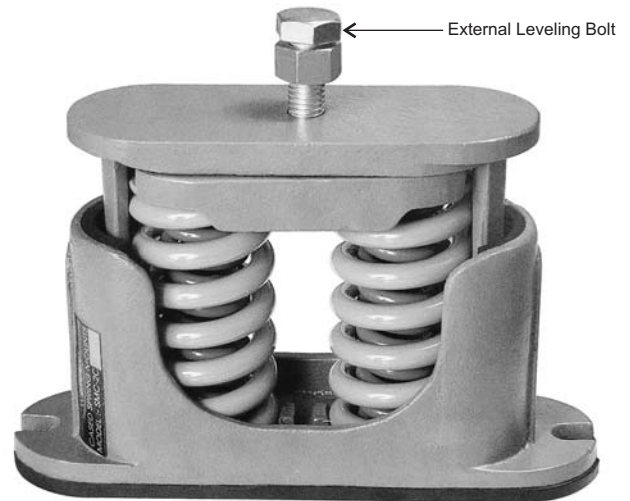
## Typical Applications

SMC series mounts are suitable for installation under all types of equipment. Since the springs are laterally restrained in cased mounts, they are particularly recommended for outdoor installations subject to wind pressure and under equipment likely to generate horizontal thrust.

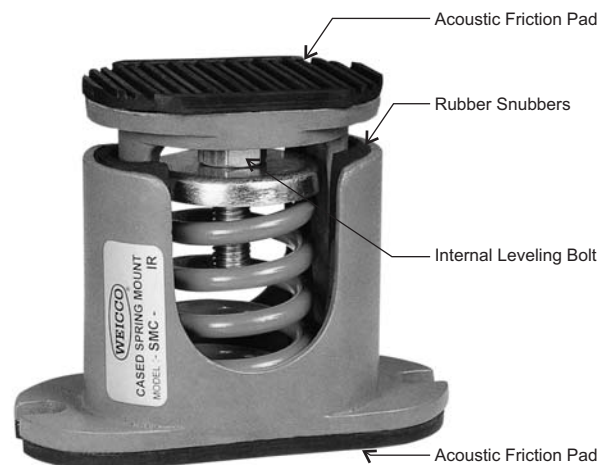
*Application examples include :* Chillers, AHUs, Pumps, Centrifugal / Axial fans, Condensing Units, Rooftop Packaged Units, Reciprocating Compressors, DG Sets, Punch Presses, Drop Hammers, floor Pipe Supports (normally at first few pipe support points leading from isolated equipment)

## Installation

Spring mount cartons contain detailed installation guide.



**Cased Spring Mount with External Adjustment (supplied as standard)**

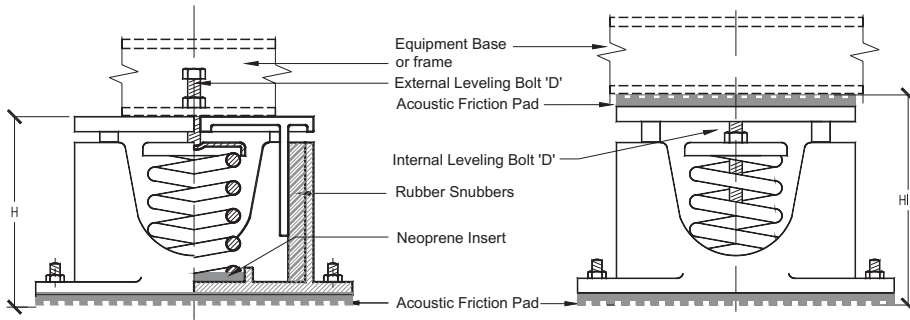


**Cased Spring Mount with Internal Adjustment and Neoprene Pad on top (add suffix 'IR')**

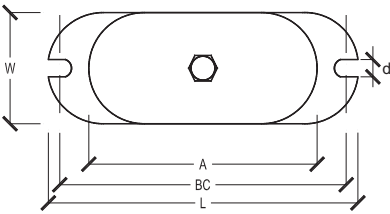
## Options Available

- Mounts with external leveling arrangement are supplied as standard. These offer maximum convenience of installation and leveling. Bolt passes through locating holes of equipment. Suitable for most applications.
- Mounts with internal leveling arrangement and extra neoprene acoustic friction pad on top (add suffix 'IR'). Used when accessibility for external leveling is limited or under flat surfaces without locating holes.

*Please refer overleaf for selection table..*



**Cased Spring Mount with Internal Adjustment and Neoprene Pad on top (add suffix 'IR')**



**Cased Spring Mount with External Adjustment (supplied as standard)**

### Selection Guidelines

- The calculated weight or published point-load data of equipment should ideally be increased by a safety factor of 10 to 15% and the next higher model of isolator selected.
- In calculating the load, please take care to consider variables such as weight of water and attached pipe fittings / valves, inertia base etc.

SELECTION TABLE FOR 25MM DEFLECTION CASED SPRING MOUNTS										
Isolator Model	Rated Load (kg)	Spring Color(s)	Dimensions (mm)							
			L	W	H*	HIR*	A	BC	D	d
SMC-A50	50	Black	137	55	98	114	87	120	3/8"	12
SMC-A100	100	Blue								
SMC-A150	150	Grey								
SMC-A200	200	Orange								
SMC-B200	200	Black	165	67	112	132	107	145	1/2"	14
SMC-B250	250	Yellow								
SMC-B300	300	Blue								
SMC-B400	400	Grey								
SMC-C400	400	Brown	187	80	134	158	129	165	5/8"	14
SMC-C500	500	Grey								
SMC-C600	600	Orange								
SMC-C700	700	Green	187	80	146	170	129	165	5/8"	14
SMC-C800	800	Pink								
SMC-C1000	1000	White								
SMC-C1200	1200	Purple								
SMC-C1400	1400	Purple / Yellow								
SMC-C1600	1600	Purple / White								
SMC-2C2000	2000	White	277	80	156	185	219	255	7/8"	14
SMC-2C2400	2400	Purple								
SMC-2C2800	2800	Purple / Yellow								
SMC-2C3200	3200	Purple / White								
SMC-4C4000	4000	White	261	155	165	199	203	239	1"	14
SMC-4C4800	4800	Purple								
SMC-4C5600	5600	Purple / Yellow								
SMC-4C6400	6400	Purple / White								

\* Represents average free height in each grouping of models. Height of some models in group may vary slightly from this figure.

Please refer overleaf for product details..